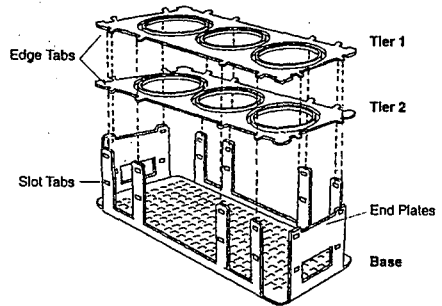
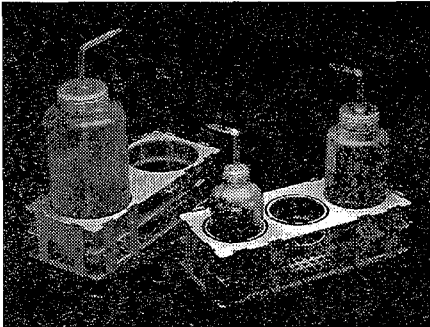


# INSTRUCTIONS



## No-Wire™ Bottle Racks

Catalog Number 16947-0000 & 16947-0001



The 16947-0000 rack holds 8oz. (250ml) or (500ml) wash bottles. If the rack is to be used for 16oz. wash bottles, break out the inner ring in the top and middle decks before making the assembly. The break out tabs may have to be cut with a knife. Exercise caution. The 16947-0001 rack holds only 32oz. (1000ml) wash bottles.

1. Place the base on a work surface with the word "BOTTOM" down against the surface.
2. Bend up the two base end plates and snap the lower tier edge tabs into the bottom set of holes.
3. Bend up the long slot tabs of the base and snap edge tabs of the lower tier into the holes.
4. Assemble the top tier into the respective holes in the same manner.

Scienceware® is a reg. TM of Bell-Art Products  
No-Wire™ is a trademark of Bel-Art Products

### BEL-ART PRODUCTS

PEQUANNOCK, NJ 07440-1992 USA  
TEL: 973 694-0500 • FAX: 973 694-7199 • [www.bel-art.com](http://www.bel-art.com)